

**MASSAGE BATHTUB
USAGE MANUAL
D-3025**



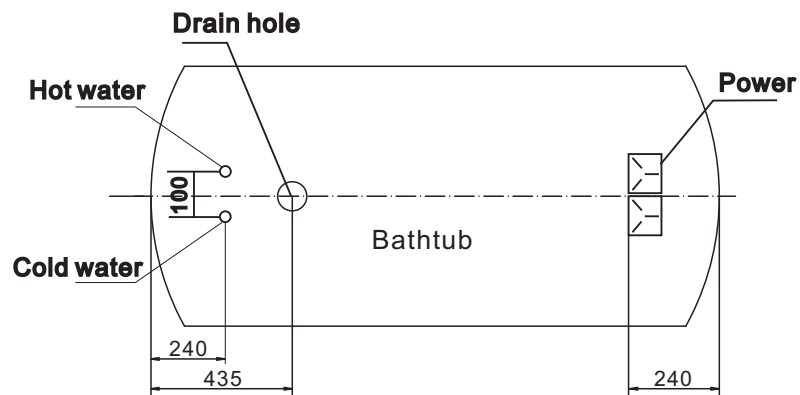
CATALOGUE

1. The note before usage.....	2
2. Electrical parameters.....	2
3. Electrical Installation.....	3
4. Power supply facilities.....	3
5. Installation instructions.....	3
6. Usage method.....	4
7. Water 、electricity diagram.....	5
8. Cleaning and maintenance.....	6
9. Special tips	6

9. Special tips

- The product should be installed by qualified electrician according to manual.
- Strictly prohibit to start the water pump without water ,pump should be off before drainage .
- A child ,old man without self-care ability mustn't use it alone .
- To take a massage bath ,water temperature should not be higher than the mean body temperature , the best temperature is 32-37°C .
- The power should be off after bath .

Attention : The company reserve the right to modify products ,it is subject to change without notice .



8. Cleaning and maintenance

- Daily cleanliness of jacuzzi can use ordinary liquid detergent and soft cloth, never use detergent composition of ketone and ammonia, and disinfection never use disinfectant with formaldehyde.
- Toothpaste and soft cloth can be used to rub the blot of tub surface.
- Mild abrasion and cigarette burning of tub surface can be polished with the No.2000# sandpaper and water, combination of toothpaste and a soft cloth.
- The Chrome parts dirt can be cleaned carefully with a soft cloth, not the coarse cloth and the other chemical solution.
- The rewater network should be cleaned regularly to prevent blockage.
- In order to ensure tub use, water pipe should be checked whether rupture or fold without delay.
- To check regularly the power cord, switch, plug whether off or damaged, so that maintenance timely.
- In order to extend the life of jacuzzi, please do not use it continuously over than 3 hours at most.

1. The note before usage

Attention

- Please read the instructions carefully so that you use the products safely and correctly.
- For your reference in the future, when you read this manual, please keep it well.

Using guidance

- Before the power is on, please make sure that the ground wire and power lines have been completely correct link.
- If it is a long time not to use the product, please pull the power plug from the socket.

Useful tips

- In order to extend the product's life, the time interval between turn on and close down continuously must be over 30 seconds.
- The use voltage must be identical with the product voltage, otherwise, it will lead to circuit failure or damage the product.
- If it breaks down by chance, please disconnect the power supply, and restart it after 5 seconds.

2. Electrical parameters

Model	Voltage/Hz	Power
D-3025	AC220V±10%/50HZ	Water pump(1HP)

3. Electrical Installation

- Power facilities should be consistent with national safety standards, power supply voltage and Hz should be identical with the product pump.
- The power to connect the massage bathtub shall be permanently fixed cables, and power cord is three-core cord, each core cross-sectional area is not less than $3\text{mm}^2 (3 \times 3\text{mm}^2)$, when the power

cord through the wall, it should be with the protective sleeve of galvanized snake until the power outlet.

- To connect the ground wire of massage bathtub to the house and verify
- Power must be connected to a dedicated power supply line, it should be shut down after use

4. Power Supply Facilities

- The water supply pressure is 0.2 Mpa-0.4 Mpa, interface for hot and cold water is G1/2".
- The water supply point used in the massage bathtub should be located in the bathtub where is easy to shield, connect the massage faucet through hose, the direction of water pipe is up to user.
- The water pipe must be equipped with independent water valve, water source should be shut down after use.

5. Installation instructions

- Before installation, the carrying capacity of jacuzzi location for weight of tub and full-water tub should be taken into consideration.
- To put jacuzzi on the installation position, and adjust anchor screw to make tail touchdown, at the same time adjust the level of degree so that it is easy to water drain.
- To splice the cold and hot water inlet tub, shower and drain pipe, connector should be with water protection.
- To plug creepage protection device and check whether it is on work by hand, if it is, power up, and then it off and on

6. Usage method

- Water injection: to revolve cold and hot water switch, adjust water temperature to appropriate degree, and then press water pump after water is higher than nozzle 10-20mm.
- Water massage: to start up water pump, spraying nozzle is fountain, revolve and start up strength switch by counter clockwise, which is

available to adjust the strength of nozzle fountain, also for single nozzle, the strength is up by clockwise otherwise down even off.

- Air massage: to press air pump, the bubble nozzle of tub bottom sprays continuous air bubble.
- Shower: to revolve change-over switch to water out from hand shower, and then take a shower.
- Close down: to press water pump and air pump switch again to stop water and air pump, and then revolve drainer to drain out water from tub, what's more clean tub with water.

7. Water、electricity diagram

Model:D-3025

